



VIBRATEURS PNEUMATIQUES

PNEUMATIC VIBRATORS
DRUCKLUFTVIBRATOREN
VIBRATORI PNEUMATICI

SERIE

VK



VK

*Vibrateurs à bille
Ball-Type
Kugelvibratoren
Vibratori a sfera*

VR



VR

*Vibrateurs à rouleau
Roller-Type
Rollenvibratoren
Vibratori a rulli*

VT



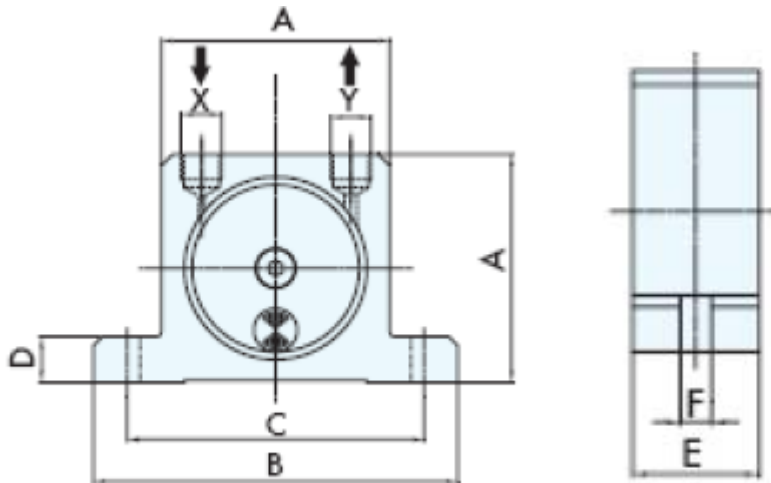
VT

*Vibrateurs à turbine
Turbine-Type
Turbinenvibratoren
Vibratori a turbina*



SERIE « VK »

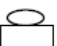
Vibrateur à bille – Ball-Type – Kugelvibratoren – Vibratori a sfera



VK

- ▶ Absence de lubrification
- ▶ Sans entretien
- ▶ Antidéflagrant
- ▶ Température d'exercice
 - -20°C → 120°C
 - -4°F → 250°F
- ▶ Lubrification free
- ▶ Maintenance free
- ▶ Flameproof
- ▶ Operating temperature
 - -20°C → 120°C
 - -4°F → 250°F

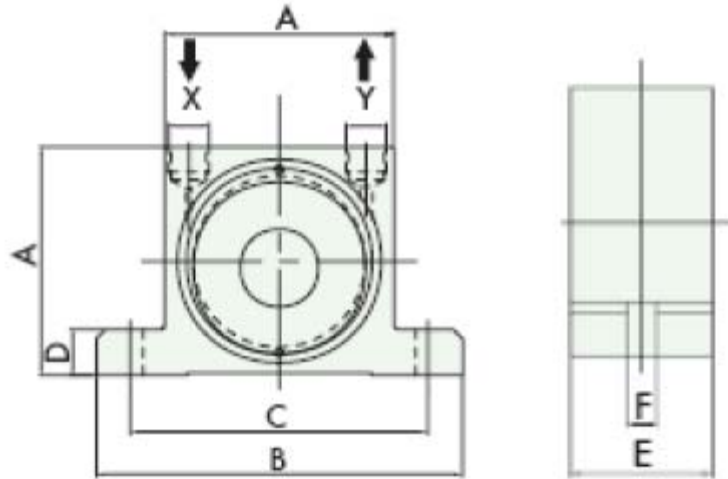
- ▶ Ölfreier Betrieb
- ▶ Wartungsfrei
- ▶ Ex-sicher
- ▶ Betriebstemperatur
 - -20°C → 120°C
 - -4°F → 250°F
- ▶ Assenza di lubrificazione
- ▶ Nessuna manutenzione
- ▶ Antideflagranti
- ▶ Temperatura di esercizio
 - -20°C → 120°C
 - -4°F → 250°F

TYPE	A		B		C		D		E		F		X-Y		
	mm	inch	mm	inch	mm	inch	mm	inch	mm	inch	mm	inch		kg	lbs
VK 8	50	1.97	86	3.39	68	2.68	12	0.47	20	0.79	7	0.28	1/8"	0.13	0.29
VK 10															
VK 13	65	2.56	113	4.45	90	3.54	16	0.63	25	0.98	9	0.35	1/4"	0.26	0.57
VK 16									28	1.10				0.30	0.66
VK 20	80	3.15	128	5.04	104	4.09	16	0.63	33	1.30	9	0.35	1/4"	0.53	1.17
VK 25									38	1.50				0.63	1.39
VK 30	100	3.94	160	6.30	130	5.12	20	0.79	45	1.77	11	0.43	3/8"	1.13	2.49
VK 36									50	1.97				1.34	2.95

TYPE	Vibrations - Vibrations Schwingungen - Vibrazioni			F.C. max.						Consommation d'air - Air consumption Luftverbrauch - Consumo d'aria					
	Vpm			2 bar = 29 psi		4 bar = 58 psi		6 bar = 87 psi		2 bar = 29 psi		4 bar = 58 psi		6 bar = 87 psi	
	2 bar = 29 psi	4 bar = 58 psi	6 bar = 87 psi	kg	lbs	kg	lbs	kg	lbs	l	CF	l	CF	l	CF
VK 8	25,500	31,000	35,000	13	29	26	57	36	79	83	2.9	145	5.1	195	6.9
VK 10	22,500	28,000	34,000	25	55	47	103	71	156	92	3.2	150	5.3	200	7.1
VK 13	15,000	18,500	22,500	32	70	55	121	87	191	94	3.3	158	5.6	225	7.9
VK 16	13,000	17,000	19,500	45	99	80	176	110	242	122	4.3	200	7.1	280	9.9
VK 20	10,500	14,500	16,500	72	158	122	268	172	378	130	4.6	230	8.1	340	12.0
VK 25	9,200	12,200	14,000	93	205	157	345	205	451	160	5.7	290	10.2	425	15.0
VK 30	7,800	9,700	12,500	151	332	247	543	321	706	215	7.6	375	13.2	570	20.1
VK 36	7,300	9,000	10,000	206	453	315	693	405	891	260	9.2	475	16.8	675	23.8

SERIE « VR »

Vibrateur à rouleau – Roller-Type – Rollenvibratoren – Vibratori a rulli




VR

- ▶ Absence de lubrification
- ▶ Sans entretien
- ▶ Antidéflagrant
- ▶ Température d'exercice
 - 0°C → 200°C
 - 32°F → 390°F

- ▶ Lubrification free
- ▶ Maintenance free
- ▶ Flameproof
- ▶ Operating temperature
 - 0°C → 200°C
 - 32°F → 390°F

- ▶ Ölfreier Betrieb
- ▶ Wartungsfrei
- ▶ Ex-sicher
- ▶ Betriebstemperatur
 - 0°C → 200°C
 - 32°F → 390°F

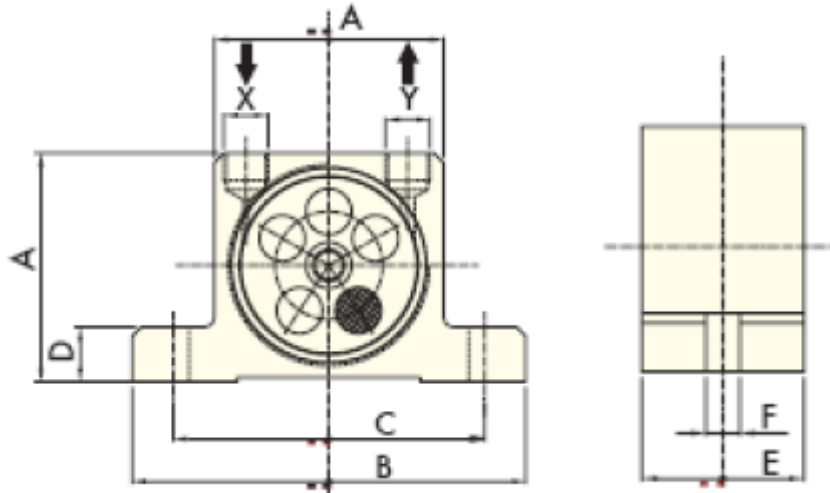
- ▶ Assenza di lubrificazione
- ▶ Nessuna manutenzione
- ▶ Antideflagranti
- ▶ Temperatura di esercizio
 - 0°C → 200°C
 - 32°F → 390°F

TYPE	A		B		C		D		E		F		X-Y		
	mm	inch	mm	inch	mm	inch	mm	inch	mm	inch	mm	inch		kg	lbs
VR 50	50	1.97	86	3.39	68	2.68	12	0.47	30	1.18	7	0.28	1/8"	0.370	0.81
VR 65	65	2.56	113	4.45	90	3.54	16	0.63	36	1.42	9	0.35	1/4"	0.760	1.67
VR 80	80	3.15	128	5.04	104	4.09	16	0.63	40	1.57	9	0.35	1/4"	1.270	2.79
VR 100	100	3.94	160	6.30	130	5.12	20	0.79	52	2.05	11	0.43	1/4" - 3/8"	2.600	5.72

TYPE	Vibrations - Vibrations Schwingungen - Vibrazioni			F.C. max.						Consommation d'air - Air consumption Luftverbrauch - Consumo d'aria					
	Vpm			2 bar = 29 psi		4 bar = 58 psi		6 bar = 87 psi		2 bar = 29 psi		4 bar = 58 psi		6 bar = 87 psi	
	2 bar = 29 psi	4 bar = 58 psi	6 bar = 87 psi	kg	lbs	kg	lbs	kg	lbs	l	CF	l	CF	l	CF
VR 50	21,000	25,000	29,500	188	413	281	619	355	780	78	2.8	144	5.1	204	7.2
VR 65	19,000	22,000	26,000	235	516	439	966	552	1215	100	3.5	198	7.0	296	10.5
VR 80	14,000	16,000	21,500	342	752	587	1292	624	1373	122	4.3	255	9.0	378	13.3
VR 100	6,750	9,750	11,000	289	637	604	1329	783	1722	132	4.7	284	10.0	412	14.5

SERIE « VT »

Vibrateur à turbine – Turbine-Type – Turbinenvibratoren – Vibratori a turbina



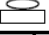
VT

- ▶ Absence de lubrification
- ▶ Sans entretien
- ▶ Antidéflagrant
- ▶ Température d'exercice
 - -20°C → 120°C
 - -4°F → 250°F

- ▶ Lubrification free
- ▶ Maintenance free
- ▶ Flameproof
- ▶ Operating temperature
 - -20°C → 120°C
 - -4°F → 250°F

- ▶ Ölfreier Betrieb
- ▶ Wartungsfrei
- ▶ Ex-sicher
- ▶ Betriebstemperatur
 - -20°C → 120°C
 - -4°F → 250°F

- ▶ Assenza di lubrificazione
- ▶ Nessuna manutenzione
- ▶ Antideflagranti
- ▶ Temperatura di esercizio
 - -20°C → 120°C
 - -4°F → 250°F

TYPE	A		B		C		D		E		F		X-Y		
	mm	inch	mm	inch	mm	inch	mm	inch	mm	inch	mm	inch		kg	lbs
VT 8														0.250	0.55
VT 10	50	1.97	86	3.39	68	2.68	12	0.47	33	1.30	7	0.28	1/8"	0.255	0.56
VT 10S														0.263	0.58
VT 13														0.565	1.24
VT 16	65	2.56	113	4.45	90	3.54	16	0.63	42	1.65	9	0.35	1/4"	0.580	1.28
VT 16S														0.614	1.35
VT 20														1.090	2.40
VT 25	80	3.15	128	5.04	104	4.09	16	0.63	56	2.20	9	0.35	1/4"	1.120	2.46
VT 25S														1.200	2.64
VT 30														2.200	4.84
VT 36	100	3.94	160	6.30	130	5.12	20	0.79	73	2.87	11	0.43	3/8"	2.300	5.06
VT 36S														2.530	5.57

TYPE	Vibrations - Vibrations Schwingungen - Vibrazioni			F.C. max.						Consommation d'air - Air consumption Luftverbrauch - Consumo d'aria					
	Vpm			2 bar = 29 psi		4 bar = 58 psi		6 bar = 87 psi		2 bar = 29 psi		4 bar = 58 psi		6 bar = 87 psi	
	2 bar = 29 psi	4 bar = 58 psi	6 bar = 87 psi	kg	lbs	kg	lbs	kg	lbs	l	CF	l	CF	l	CF
VT 8	34,000	38,000	42,000	110	242	205	451	292	641	45	1.6	81	2.9	110	3.9
VT 10	26,000	33,000	38,000	105	231	171	377	252	554	45	1.6	81	2.9	110	3.9
VT 10S	17,200	23,400	26,000	72	159	147	323	187	410	45	1.6	81	2.9	110	3.9
VT 13	24,500	28,500	31,000	202	444	263	579	300	659	122	4.3	204	7.2	285	10.1
VT 16	18,000	20,000	21,000	194	427	239	527	264	581	122	4.3	204	7.2	285	10.1
VT 16S	11,500	15,000	17,500	129	285	196	431	234	516	122	4.3	204	7.2	285	10.1
VT 20	14,500	19,000	23,000	251	552	404	888	526	1157	184	6.5	318	11.2	452	16.0
VT 25	13,200	15,500	17,000	244	537	336	740	508	1117	184	6.5	318	11.2	452	16.0
VT 25S	9,000	11,000	13,500	214	471	335	738	483	1063	184	6.5	318	11.2	452	16.0
VT 30	11,000	12,500	14,500	351	771	721	1586	781	1718	322	11.4	542	19.1	749	26.5
VT 36	8,500	11,500	12,000	341	751	698	1536	749	1648	322	11.4	542	19.1	749	26.5
VT 36S	6,000	7,000	8,500	406	893	706	1554	754	1660	322	11.4	542	19.1	749	26.5

APPLICATIONS

Applications – Einsätze - Applicazioni

VK



- | | | | |
|--------------------------------|--------------------|-------------------------|-------------------|
| ▶ Trémies et autres récipients | ▶ Bins and hoppers | ▶ Trichter und behälter | ▶ Sili e tramogge |
| ▶ Compactage | ▶ Compacting | ▶ Verdichter | ▶ Compattazione |
| ▶ Séparation | ▶ Separation | ▶ Klassierer | ▶ Separazione |
| ▶ Tamis | ▶ Sieves | ▶ Siebes | ▶ Setaccio |

VR



- | | | | |
|--------------------------------|--------------------|-------------------------|----------------------|
| ▶ Trémies et autres récipients | ▶ Bins and hoppers | ▶ Trichter und behälter | ▶ Sili e tramogge |
| ▶ Moules | ▶ Molds | ▶ Industriellen formen | ▶ Stampi industriali |
| ▶ Compactage | ▶ Compacting | ▶ Verdichter | ▶ Compattazione |
| ▶ Séparation | ▶ Separation | ▶ Klassierer | ▶ Separazione |
| ▶ Fonderies | ▶ Foundries | ▶ Gießereien | ▶ Fonderia |

VT



- | | | | |
|--|--------------------------------------|--------------------------------------|---------------------------------------|
| ▶ Industries alimentaire et pharmaceutique | ▶ Food and pharmaceutical industries | ▶ Nahrungsmittel und pharmaindustrie | ▶ Industria alimentare e farmaceutica |
| ▶ Trémies et autres récipients | ▶ Bins and hoppers | ▶ Trichter und behälterbau | ▶ Sili e tramogge |
| ▶ Tamis | ▶ Sieves | ▶ Siebanlagen | ▶ Setaccio |